

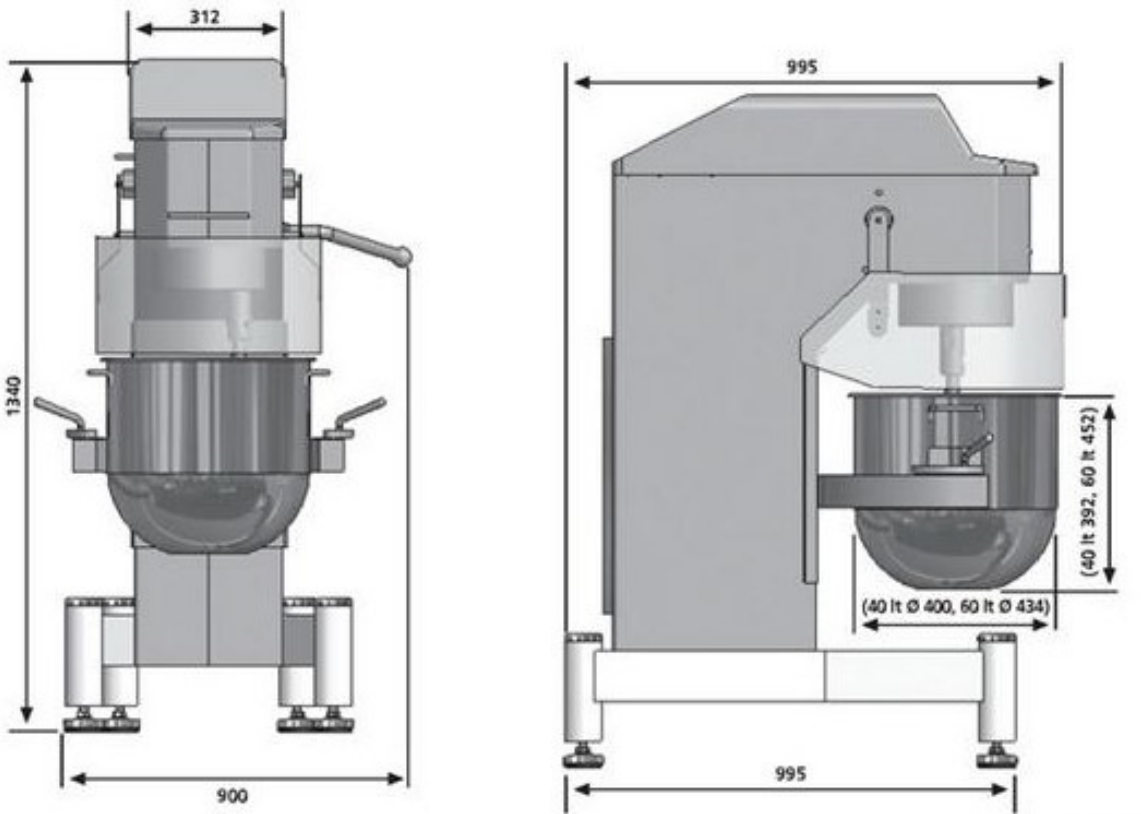
PLANET MIXER



EPLM 02

PLANET MIXER

- ▶ The planet mixer is ideal for the small bakeries, pastry shops, industrial kitchens and hotels for mixing, kneading processes.
- ▶ Simple to use and safely. The materials were chosen to run the machine for long life time.
- ▶ Mixer capacities are 10-20-40-60 lt.
- ▶ Possible to use 40 lt and 60 lt bowls on the same machine
- ▶ Adjustable bowl height
- ▶ Bowl and mixing accessories are made of stainless steel.
- ▶ Scrapers can be installed on the machine on request
- ▶ Automatic bowl lifter on request
- ▶ European standard electrical components
- ▶ 24 control panel



PLANET MIXER	Capacity	Weight	Motor Power	Dimension
	kg/hr	kg	Kw	mm
EPLM 60	60	220	2.2	995 x 900 x 1340